

Article

THD Reduction in Wind Energy System Using Type-4 Wind Turbine/PMSG Applying the Active Front-End Converter Parallel Operation

Nadia Maria Salgado-Herrera ^{1,*} , David Campos-Gaona ¹, Olimpo Anaya-Lara ¹, Aurelio Medina-Rios ², Roberto Tapia-Sánchez ² and Juan Ramon Rodríguez-Rodríguez ³

¹ Institute for Energy and Environment, University of Strathclyde, Glasgow G1 1XW, UK; d.campos-gaona@strath.ac.uk (D.C.-G.); olimpo.anaya-lara@eee.strath.ac.uk (O.A.-L.)

² Facultad de Ingeniería Eléctrica, División de estudios de posgrado, Universidad Michoacana de San Nicolás de Hidalgo, Morelia 58030, Mexico; amedinr@gmail.com (A.M.-R.); rtsanchez@dep.fie.umich.mx (R.T.-S.)

³ Facultad de Ingeniería; Departamento de Energía, Eléctrica Universidad Nacional Autónoma de México, Coyoacán, Ciudad de México 04510, Mexico; Jr_rodriguez@fi-b.unam.mx

* Correspondence: nadia.salgado-herrera@strath.ac.uk; Tel.: +52-144-3101-9237

Received: 29 August 2018; Accepted: 15 September 2018; Published: 16 September 2018



Abstract: In this paper, the active front-end (AFE) converter topology for the total harmonic distortion (THD) reduction in a wind energy system (WES) is used. A higher THD results in serious pulsations in the wind turbine (WT) output power and several power losses at the WES. The AFE converter topology improves the capability, efficiency, and reliability in the energy conversion devices; by modifying a conventional back-to-back converter, from using a single voltage source converter (VSC) to use p VSC connected in parallel, the AFE converter is generated. The THD reduction is achieved by applying a different phase shift angle at the carrier of digital sinusoidal pulse width modulation (DSPWM) switching signals of each VSC. To verify the functionality of the proposed methodology, the WES simulation in Matlab-Simulink[®] (Matlab r2015b, Mathworks, Natick, MA, USA) is analyzed, and the experimental laboratory tests using the concept of rapid control prototyping (RCP) and the real-time simulator Opal-RT Technologies[®] (Montreal, QC, Canada) is achieved. The obtained results show a type-4 WT with a total output power of 6 MVA, generating a THD reduction up to 5.5 times of the total WES current output by Fourier series expansion.

Keywords: active front-end converter; back-to-back converter; permanent magnet synchronous generator (PMSG); THD; type-4 wind turbine; wind energy system; Opal-RT Technologies[®]

1. Introduction

Nowadays, the number of wind energy systems (WES) has increased dramatically, as evidence of this; in 2013, WES were installed in more than 80 countries, generating a power of 240 GW [1], in 2014, the generation reached a capacity of 369.9 GW [2], in 2015, a production of 432.883 GW was generated [3]. By the end of 2016 a global generation of 487 GW was installed [4], and in 2021 the installed capacity is expected to exceed 800 GW [5]. Within the types of variable speed wind turbines (WT) there are three types: Type-2 (squirrel-cage induction generator (SCIG)), type-3 (double-fed induction generator (DFIG)) and type-4 (squirrel-cage induction generator (SCIG)/permanent magnet synchronous generator (PMSG) with full-scale back-to-back converter); in which, type-2 has a 10% variability in the rotor, type-3 has a 30% variability, and type-4 has 60% in the variability of the rotor speed [6]. The type-3 (DFIG) wind turbine schemes constitute the majority of variable speed commerce applications; however, the type-4 WT with a PMSG (WT-PMSG) is an attractive and the best option since this is not directly connected to the grid, presenting advantages such as: High efficiency,

increased reliability, major variable speed operation, and low cost in maintenance and installation, due the absence of gearboxes [7]. In the type-4 WT-PMSG installation the important aspects to prevent are associated problems with the wind-nature fluctuations. For example: The flicker generation is mainly caused by load flow changes, due to its continuous operation [8]; a power factor not unity, this characteristic happens as the modulation index of the back-to-back converter is not high [9]. Voltage sags occur by the sudden changes in the rotor speed of the type-4 WT-PMSG and cause a decrement in the transferred power from the dc-link to the grid [10]. A higher total harmonic distortion (THD) is mainly produced by the power converters switching, this results in serious pulsations in the type-4 WT-PMSG output power and in several power losses at the WES [11,12]. All these problems can be mitigated through the full-scale back-to-back converter in the type-4 WT-PMSG scheme, and this generates the following advantages [13–16]: (i) Bidirectional power flow; (ii) adjustable dc-link voltage; (iii) a sinusoidal grid-side current with an exchange of active and reactive power. These advantages are possible because the generated whole power by the type-4 WT-PMSG on the AC grid is supplied through the back-to-back converter.

However, its implementation is very difficult, since this must handle very high powers of up to 6 MVA. Notwithstanding, the Active Front-End (AFE) converter topology provides a viable and efficient solution to improve the power transfer capacity and reliability of the WES quality; the AFE converter is generated by modifying a conventional back-to-back converter, from using a single voltage source converter (VSC) to use p VSCs connected in parallel, as shown in Figure 1. As evidence, in [3] the authors describe the principal WT manufacturers, those in low voltage and medium voltage technologies are classified, generating power ratings of >3 MVA and <3 MVA, respectively. In the open literature there exists some research works that address the AFE converter topology applied to WES; for example, in [17] the authors analytically and experimentally present the control method for the current balance in an AFE power converter of 600 kVA, this is a very important topic in the parallel connection of power converters, however, the authors make the AFE converter analysis connecting only two VSCs in parallel, generating: A THD of 4.32% (three times higher than in our research work with THD of 1.23%); in addition, they use the space vector modulation for the switching of VSCs, which generates a more complex control if p VSC in parallel are connected.

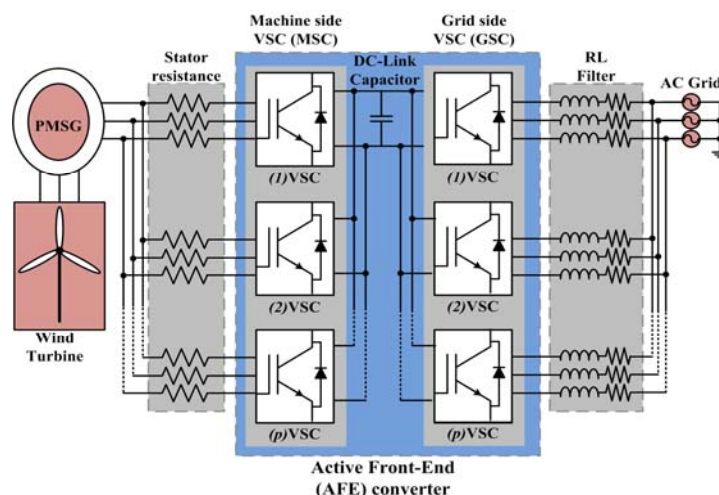


Figure 1. Type-4 wind turbine (WT) connected at wind energy system (WES) through the active front-end (AFE) converter parallel topology.

The main goal of this work is the AFE converter topology application for the THD reduction in a WES and the increase of power transfer between the WT and the AC grid; generating greater capability, efficiency, and reliability in the energy conversion at the WES.

Contributions from this Work

In this paper, the AFE converter topology applied in the THD reduction at WES is made. Through the AFE converter parallel topology the following advantages were possible:

- (i) Increased the converter power capacity.
- (ii) Minimized size of each VSC unit, which manages a portion of the total nominal power.
- (iii) A reduced ripple on the injected current, which improves the voltage quality at the Point of Common Coupling (PCC).
- (iv) An increased equivalent switching frequency, generating a smaller passive filter on the AC-side.
- (v) The possibility of THD Reduction at the WES, modifying the Digital sinusoidal pulse width modulation (DSPWM) switching signals in each VSC.

To verify the functionality and robustness of the proposed methodology, an AFE converter formed with three VSCs connected in parallel is incorporated, as shown in Figure 1. The WES simulation in Matlab-Simulink® is analyzed, and the experimental laboratory tests using the concept of rapid control prototyping (RCP) and the real-time simulator Opal-RT® is achieved. The obtained results show a WES prototyping that incorporates a type-4 wind turbine with a total output power of 6 MVA and a THD reduction of up to 5.5 times.

This paper is organized as follows: Section 2 details the modeling of the Type-4 WT-PMSG; first, the modeling power transfer control between the WT-PMSG and AFE converter is generated; subsequently, the modeling of the machine-side VSC control, DC-link control and the grid-side VSC control of the AFE converter is analyzed, and finally, the design of the AFE converter system parameters is presented. Section 3 presents the modeling of the DSPWM Technique Applied in the THD Reduction. Section 4 shows the simulated results of a study case for WES. Section 5 presents the real-time simulation results of a study case for WES using Opal-RT Technologies®. Finally, in Section 6, the conclusions are presented.

2. Modeling of the Type-4 WT-PMSG

The AFE converter structure consists in two power electronics converters: A machine-side VSC (MSC) to provide power conversion between medium AC voltage and low DC voltage levels, and a grid-side VSC (GSC) to generate the voltages required by the consumers [18], for which, the next sections describe the control modeling of MSC and GSC and these are shown in Figure 2.

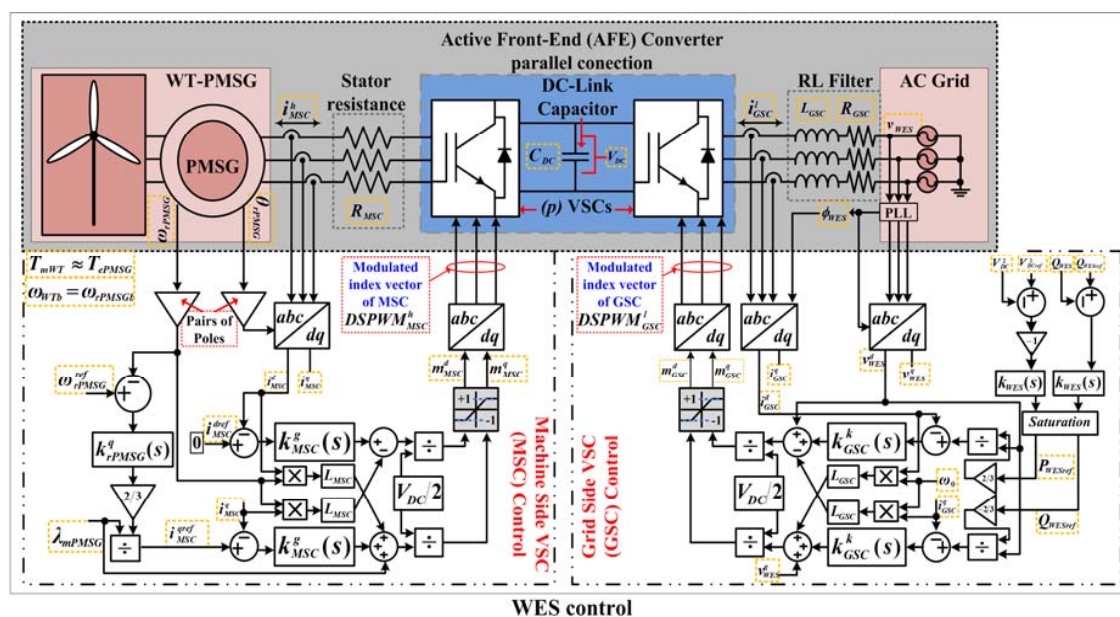


Figure 2. Modeling control of WES.

2.1. Modeling of the Machine-Side VSC Control at AFE Converter

The MSC provides the rotor flux frequency control, thus enabling the rotor shaft frequency to optimally track wind speed [19]. The time-domain relationship of the VSC AC-side is given by:

$$\left[d(i_{MSC}^h(t))/dt \right] = -\left(R_{MSC}^h/L_{MSC}^h \right) \left[i_{MSC}^h(t) \right] + \left(1/L_{MSC}^h \right) \left[v_{MSC}^h(t) \right] - \left(1/L_{MSC}^h \right) \left[v_{WT-PMMSG}^h(t) \right] \quad (1)$$

where h is the MSC three-phase vector (a,b,c), L_{MSC} is the PMMSG armature inductance, R_{MSC} is the PMMSG stator phase resistance, v_{MSC} and i_{MSC} are the MSC voltage and current, respectively, $v_{WT-PMMSG}$ is the generated WT-PMMSG voltage.

Then, the dq reference frame model derived from the AC-side of the MSC, including the inductances cross-coupling, is described as:

$$\left[\frac{d(i_{MSC}^d(t))}{dt} \right] = -\left(\frac{R_{MSC}^d}{L_{MSC}^d} \right) \left[i_{MSC}^d(t) \right] + \left(\frac{\omega_{rPMMSG} L_{MSC}^q}{L_{MSC}^d} \right) \left[i_{MSC}^q(t) \right] + \left[\frac{v_{MSC}^d(t)}{L_{MSC}^d} \right] - \left[\frac{v_{WT-PMMSG}^d(t)}{L_{MSC}^d} \right] \quad (2a)$$

$$\left[\frac{d(i_{MSC}^q(t))}{dt} \right] = -\left(\frac{R_{MSC}^q}{L_{MSC}^q} \right) \left[i_{MSC}^q(t) \right] - \left(\frac{\omega_{rPMMSG} L_{MSC}^d}{L_{MSC}^q} \right) \left[i_{MSC}^d(t) \right] - \left[\frac{\lambda_{mPMMSG}(\omega_{rPMMSG})}{L_{MSC}^q} \right] + \left[\frac{v_{MSC}^q(t)}{L_{MSC}^q} \right] - \left[\frac{v_{WT-PMMSG}^q(t)}{L_{MSC}^q} \right] \quad (2b)$$

where ω_{rPMMSG} is the PMMSG rotor angular velocity; λ_{mPMMSG} is the maximum flux linkage generated by the PMMSG rotor magnets and transferred to the stator windings.

The generated MSC voltage is given by:

$$\left[v_{MSC}^g(t) \right] = (1/2) \left[m_{MSC}^g(t) * V_{DC}(t) \right] \quad (3)$$

where g is the dq components reference frame vector of the MSC, V_{DC} is the DC-link voltage, m_{MSC}^g is the modulated index vector.

Making $L_{MSC} = L_{MSC}^d = L_{MSC}^q$, the presence of $\omega_{rPMMSG} L_{MSC}$ in (2) indicates the coupled dynamics between i_{MSC}^d and i_{MSC}^q . To decouple these dynamics, the i_{MSC}^q vector signals are changed, based in the dq reference frame, i.e.,

$$\left[m_{MSC}^d(t) \right] = (2/V_{DC}(t)) \left[i_{MSC}^d(t) - \left((\omega_{rPMMSG} \cdot L_{MSC}) i_{MSC}^q(t) \right) + v_{WT-PMMSG}^d(t) \right] \quad (4a)$$

$$\left[m_{MSC}^q(t) \right] = (2/V_{DC}(t)) \left[i_{MSC}^q(t) + \left((\omega_{rPMMSG} \cdot L_{MSC}) i_{MSC}^d(t) \right) + \lambda_{mPMMSG} \omega_{rPMMSG} + v_{WT-PMMSG}^q(t) \right] \quad (4b)$$

where $E_{MSC}^d(t)$ and $E_{MSC}^q(t)$ are two additional control inputs.

The MSC plant is obtained by substituting (4) into (3), subsequently, (3) is substituting into (2) generating a first order lineal system that, in Equation (5) is described.

$$\left[\dot{g}_{MSC}(t) \right] = L_{MSC} \left[d i_{MSC}^g(t)/dt \right] + R_{MSC} \left[i_{MSC}^g(t) \right] \quad (5)$$

Equation (5) in the time domain is represented; its representation in the frequency domain is shown in (6); which describes a decoupled and first-order linear system, controlled through $E_{MSC}^g(s)$.

$$\left[g_{MSC}(s) \right] = (sL_{MSC} + R_{MSC}) \left[i_{MSC}^g(s) \right] \quad (6)$$

Rewriting equation (6), the transfer function representing the MSC plant is given, i.e.,

$$\left[i_{MSC}^g(s) \right] = \left[g_{MSC}(s) \right] (sL_{MSC} + R_{MSC})^{-1} \quad (7)$$

With the purpose of tracking the $i_{MSC}^g(s)$ reference commands in the loop, the proportional-integral (PI) compensators are used, obtaining:

$$\left[i_{MSC}^g(s) \right] \approx \left[k_{MSC}^g(s) \right] = \left[\frac{(\alpha_{MSC} s k_{MSC}^p + \alpha_{MSC} k_{MSC}^i)}{\alpha_{MSC} s} \right] = \left[\left(\frac{\alpha_{MSC}}{s} \right) \left(\frac{(s k_{MSC}^p + k_{MSC}^i)}{\alpha_{MSC}} \right) \right] \quad (8)$$

where k_{MSC}^p and k_{MSC}^i are the proportional and integral gains, respectively, $\alpha_{MSC} = 2.2/\tau_{MSC}$ is the MSC bandwidth of the closed loop control and τ_{MSC} is compensator response time.

Substituting Equation (8) into (7), the closed-loop transfer function $\left[i_{MSC}^g(s) \right]$ is formed:

$$\left[i_{MSC}^g(s) \right] \approx \left[i_{MSC}^{gref}(s) - i_{MSC}^g(s) \right] = \left[\left(\frac{\alpha_{MSC}}{s} \right) \left(\frac{s k_{MSC}^p + k_{MSC}^i}{\alpha_{MSC}} \right) \left(\frac{1}{s L_{MSC}(s) + R_{MSC}(s)} \right) \right] \quad (9)$$

If in open loop the expression (9) tends to be ∞ when $s = j\omega \rightarrow 0$, this guarantees that, in closed loop the system will not have a phase shift delay.

Based on (9), the relation between the plant pole and the PI compensator zero is obtained through (10), generating the k_{MSC}^p and k_{MSC}^i control gains.

$$\left[k_{MSC}^p \right] = [\alpha_{MSC} L_{MSC}] = [(2.2/\tau_{MSC}) L_{MSC}] \quad (10a)$$

$$\left[k_{MSC}^i \right] = [\alpha_{MSC} R_{MSC}] = [(2.2/\tau_{MSC}) R_{MSC}] \quad (10b)$$

Compensator response time, τ_{MSC} , in the range from 5 to 0.5 ms is selected, in this case a $\tau_{MSC} = 2.2$ ms is designated.

2.2. Modeling Power Transfer Control between the WT-PMSG and AFE Converter

In the WT-PMSG power transfer modeling the following power-speed characteristics are considered [20]: (i) The base angular velocity of the WT is determined by the base rotor angular velocity of the PMSG, $\omega_{WTb} = \omega_{rPMSGb}$; (ii) the WES base power is determined by the WT-PMSG nominal power, $P_{WESb} = P_{WT-PMSGb}$; (iii) the output base power of the AFE converter is determined by the base WES power, $P_{AFEb} = P_{WESb}$; this power is transferred from WT to PMSG through the electric torque, this is represented by:

$$\left[T_{ePMSG} \right] = (3/2) \left[\left((L_{MSC}^d - L_{MSC}^q) i_{MSC}^d i_{MSC}^q \right) + (\lambda_{mPMSG} i_{MSC}^q) \right] \quad (11)$$

where T_{ePMSG} is the PMSG electrical torque, L_{MSC}^d and L_{MSC}^q are the dq reference frame components of the PMSG armature inductance.

However, considering that the rotor has a cylindrical geometry, then it is established that, $L_{MSC}^d = L_{MSC}^q$ [21], generating (12):

$$\left[T_{ePMSG} \right] = ((3/2)\lambda_{mPMSG}) \left[i_{MSC}^q \right] \quad (12)$$

Then, to realize the WT-PMSG variable speed control, it is necessary to generate the plant model that represents it. Therefore, in (13) the dynamic characteristics are shown as a time function so that it represents:

$$\left[\frac{d(\omega_{rPMSG})}{dt} \right] = \frac{1}{2H} [T_{mWT} - T_{ePMSG} - D\omega_{rPMSG}(t)] \quad (13)$$

where D is the PMSG viscous damping, H is the inertia constant (s), T_{mWT} is the WT mechanical torque.

Equation (13) analyzes the WT-PMSG in the time domain; however, the WT-PMSG plant representation requires a transfer function to design the ω_{rPMSG} control. By using Laplace transformation, the WT-PMSG plant in the frequency domain is represented, i.e.,

$$[\omega_{rPMSG}(s)] = [(T_{mWT} - T_{ePMSG})(2Hs + D)^{-1}] \quad (14)$$

Equation (14) shows a multiple inputs single output system (MISO); however, because in steady state it is valid that $T_{mWT} \approx T_{ePMSG}$, then, in the control design it is considered that $T_{mWT} = 0$; generating a single input single output system (SISO), as shown in (15).

$$\left[\frac{\omega_{rPMSG}(s)}{-T_{ePMSG}} \right] = \left[\frac{1}{2Hs + D} \right] \quad (15)$$

With the purpose of tracking the ω_{rPMSG} reference commands in the closed-loop transfer function, the proportional-integral (PI) compensators are used. The feedback loop $[i_{rPMSG}^q(s)]$ is:

$$[i_{rPMSG}^q(s)] = [\omega_{rPMSG}^{ref}(s) - \omega_{rPMSG}(s)] = \left[\left(\frac{\alpha_{PMSG}}{s} \right) \left(\frac{(skp_{rPMSG}^q + ki_{rPMSG}^q)}{\alpha_{PMSG}} \right) \left(\frac{1}{(2Hs + D)} \right) \right] \quad (16)$$

where kp_{rPMSG}^q and ki_{rPMSG}^q are the proportional and integral gains, respectively.

From (16), the relation between the plant pole and PI compensator zero is obtained and the control gains using the next expression are generated:

$$[kp_{rPMSG}^q] = [2H\alpha_{PMSG}] = [(2.2/\tau_{PMSG})2H] \quad (17a)$$

$$[ki_{rPMSG}^q] = [\alpha_{PMSG}D] = [(2.2/\tau_{PMSG})D] \quad (17b)$$

where the subscript τ_{PMSG} is the response time by the closed loop of the WT-PMSG first-order transfer function. This is selected according to the WT-PMSG transferred power and this must be at least ten times higher than τ_{MSC} .

2.3. Modeling of the Grid-Side VSC Control of the AFE Converter

The GSC is used to keep the DC-link constant, transferring the generated power between the WT-PMSG and AC grid. The time-domain relationship of the VSC AC-side is given by:

$$[d(i_{GSC}^l(t))/dt] = -(R_{GSC}^l/L_{GSC}^l)[i_{GSC}^l(t)] + (1/L_{GSC}^l)[v_{GSC}^l(t)] - (1/L_{GSC}^l)[v_{WES}^l(t)] \quad (18)$$

where l is the VSC three-phase vector (a, b, c), L_{GSC} and R_{GSC} are the RL filter parameters through which the AFE converter is connected to the grid, v_{GSC} and i_{GSC} are the GSC voltage and current, respectively; v_{WES} is the generated WES voltage.

Then, from (18) the derived dq model is described as:

$$L_{GSC} \left(di_{GSC}^d(t)/dt \right) = (\omega_0 \cdot L_{GSC}) [i_{GSC}^q(t)] - (R_{GSC}) [i_{GSC}^d(t)] + [v_{GSC}^d(t)] - [v_{WES}^d(t)] \quad (19a)$$

$$L_{GSC} \left(di_{GSC}^q(t)/dt \right) = -(\omega_0 \cdot L_{GSC}) [i_{GSC}^d(t)] - (R_{GSC}) [i_{GSC}^q(t)] + [v_{GSC}^q(t)] - [v_{WES}^q(t)] \quad (19b)$$

where ω_0 is the WES angular frequency; the generated GSC voltages are given by:

$$v_{GSC}^k(t) = (V_{DC}/2) [m_{GSC}^k(t)] \quad (20)$$

where k is the dq components reference frame vector of the grid-side VSC, m_{GSC}^k is the modulated index vector.

Making $L_{GSC} = L_{GSC}^d = L_{GSC}^q$, the presence of $\omega_0 L_{GSC}$ in (19) indicates the coupled dynamics between i_{GSC}^d and i_{GSC}^q . Decoupling these dynamics changes m_{GSC}^d and m_{GSC}^q , based in the dq reference frame, i.e.,

$$\left[m_{GSC}^d(t) \right] = (2/V_{DC}(t)) \left[i_{GSC}^d(t) - ((\omega_0 \cdot L_{GSC}) i_{GSC}^q(t)) + v_{WES}^d(t) \right] \quad (21a)$$

$$\left[m_{GSC}^q(t) \right] = (2/V_{DC}(t)) \left[i_{GSC}^q(t) + ((\omega_0 \cdot L_{GSC}) i_{GSC}^d(t)) + v_{WES}^q(t) \right] \quad (21b)$$

where $E_{GSC}^d(t)$ and $E_{GSC}^q(t)$ are two additional control inputs.

The GSC plant is obtained by substituting (21) into (20), subsequently, (20) is substituting into (19) generating a first order lineal system, this in Equation (22) is described as:

$$L_{GSC} \left[di_{GSC}^k(t)/dt \right] = \left[i_{GSC}^k(t) \right] - R_{GSC} \left[i_{GSC}^k(t) \right] \quad (22)$$

The frequency domain of the Equation (22) is shown in (23); which describes a decoupled, first-order, linear system, controlled through $E_{GSC}^k(s)$. Also, Equation (23) represents the grid-side VSC plant.

$$\left[i_{GSC}^k(s) \right] = \left[k_{GSC}^k(s) \right] (sL_{GSC} + R_{GSC})^{-1} \quad (23)$$

With the purpose of tracking the $i_{GSC}^k(s)$ reference commands in the closed loop, the proportional-integral (PI) compensators are used, obtaining:

$$\left[k_{GSC}^k(s) \right] \approx \left[k_{GSC}^k(s) \right] = \left[\frac{(\alpha_{GSC} s k p_{GSC}^k + \alpha_{GSC} k i_{GSC}^k)}{\alpha_{GSC} s} \right] = \left[\left(\frac{\alpha_{GSC}}{s} \right) \left(\frac{(s k p_{GSC}^k + k i_{GSC}^k)}{\alpha_{GSC}} \right) \right] \quad (24)$$

where $k p_{GSC}^k$ and $k i_{GSC}^k$ are the proportional and integral gains, respectively.

The feedback loop $i_{GSC}^k(s)$ is:

$$\left[i_{GSC}^k(s) \right] = \left[i_{GSC}^{kref}(s) - i_{GSC}^k(s) \right] = \left[\left(\frac{\alpha_{GSC}}{s} \right) \left(\frac{(s k p_{GSC}^k + k i_{GSC}^k)}{\alpha_{GSC}} \right) \left(\frac{1}{sL_{GSC} + R_{GSC}} \right) \right] \quad (25)$$

The relation between the plant pole and the PI compensator zero is obtained in (26), generating the $k p_{GSC}^k$ and $k i_{GSC}^k$ control gains and $\alpha_{GSC} = 2.2/\tau_{GSC}$ is the GSC bandwidth of the closed-loop control.

$$\left[k p_{GSC}^k \right] = \left[\alpha_{GSC} L_{GSC} \right] = \left[(2.2/\tau_{GSC}) L_{GSC} \right] \quad (26a)$$

$$\left[k i_{GSC}^k \right] = \left[\alpha_{GSC} R_{GSC} \right] = \left[(2.2/\tau_{GSC}) R_{GSC} \right] \quad (26b)$$

where τ_{GSC} is selected from 5 to 0.5 ms based on the transferred power.

2.4. The DC-Side Control of the AFE Converter

GSC improves the DC-link control. The time-domain relationship of the DC-link of the AFE converter is given by:

$$\left[dV_{DC}(t)/dt \right] = \left[I_{DC}(t)/C_{DC} \right] - \left[V_{DC}(t)/(C_{DC} \cdot R_{DC}) \right] \quad (27)$$

The sum of currents entering the capacitor is:

$$\left[I_{DC}(t) \right] = \frac{1}{2} \sum_{l=a}^c m_{GSC}^l(t) \left[i_{GSC}^l(t) \right] \quad (28)$$

The functionality of the AFE converter requires that:

$$V_{DC} \geq |2(v_{WESL-L})| \quad (29)$$

The DC-link control is calculated through the stored energy in the capacitor, that is,

$$[U_{DC}(s)] = (C_{DC}/2) [V_{DC}^2(s)] \quad (30)$$

where U_{DC} is the stored energy in the capacitor and C_{DC} is the DC-link capacitance.

Considering that $U_{DC}(s) \approx P_{GSCref}(s)$, and using the d reference frame component of grid-side VSC plant described in (22) the DC-link control is made, generating the active power control, that is:

$$[P_{GSCref}(s)] = (C_{DC}/2) [V_{DCref}^2(s) - V_{DC}^2(s)] [E_{GSC}^d(s)] \quad (31)$$

The reactive power control is made with the q reference frame component of the GSC plant described in (22), that is,

$$[Q_{GSCref}(s)] = [Q_{WESref}(s) - Q_{WES}(s)] [G_{GSC}^d(s)] \quad (32)$$

where Q_{WES} is the presented reactive power at the WES.

It is important to consider that, the subscript τ_{WES} presented in (32) must be at least ten times higher than τ_{GSC} .

2.5. System Parameters Design of the AFE Converter

The correct operation of the type-4 WT control depends on the precise design of the AFE converter parameters; thus, the element's values of the MSC are obtained from the WT-PMSG nominal power, $P_{WT-PMSG}$, that is: the current is $i_{MSC} = (2/3)(P_{WT-PMSG}/v_{MSC})$; the machine-side impedance is $Z_{MSCt} = v_{MSC}/i_{MSC}$, thus, the MSC works with 15% of the total WT-PMSG impedance, i.e., $Z_{MSC} = (0.15)Z_{MSCt}$; from the WT-PMSG characteristics the following parameters are taken: L_{MSC} , R_{MSG} , D , H . The element's values of the GSC are obtained from the WES nominal power, but to achieve $P_{WES} = P_{WT-PMSG}$ i_{GSC} is generated using $i_{MSC} = (2/3)(P_{WES}/v_{GSC})$; the grid-side impedance is $Z_{GSCt} = v_{GSC}/i_{GSC}$ the GSC works with 15% of the total WES impedance, i.e., $Z_{GSC} = (0.15)Z_{GSCt}$; therefore, L_{GSC} is calculated with $L_{GSC} = Z_{GSC}/\omega_0$, the R_{GSC} value varies according to the transferred power, in a range from 0.1 Ω to 0.5 Ω ; the base WES capacitance C_{WES} is calculated with $C_{WES} = 1/(Z_{GSC}\omega_0)$. Then, a better time response in the WES feedback is achieved, since the L_{MSC} and R_{MSC} values are used in (10), H and D values are used in (17), L_{GSC} and R_{GSC} values are used in (26), to obtain the system feedback gains. It is important to establish that from the generated active power by the GSC, v_{WES} is kept constant in the presence of any perturbation; for which, it is essential to calculate the correct capacitance value that maintains the DC-link compensation. This is determined from the base DC-link capacitance, i.e., $C_{DC} = (3/8)C_{WES}$, determining the store energy in Equation (30).

3. Modeling of the DSPWM Technique Applied in the THD Reduction

Digital modulation techniques are the most generalized framework in the control of modern power electronics converters applications. Digital sinusoidal pulse width modulation (DSPWM) is a modulation technique created by the internal generation of the modulated and carrier signals using a digital controller [22].

THD reduction is achieved by modifying the DSPWM switching signals in each VSC. This is carried out by applying a different phase shift angle in each carrier signal of each VSC; the modulated signal angle is not changed. Then, the output signals (voltage or current) of each VSC are added. In this paper, the AFE converter is built with three VSC connected in parallel. Figure 3 shows the comparison between the modulated (without phase shift angle) and carrier (with phase shift angle)

signals, generating the DSPWM signal (phase a) corresponding to each VSC connected in parallel. The correct phase shift angle between each carrier signal is established putting up different values of total phase shift angle at the WES, see Figure 2. The analysis is shown in Table 1.

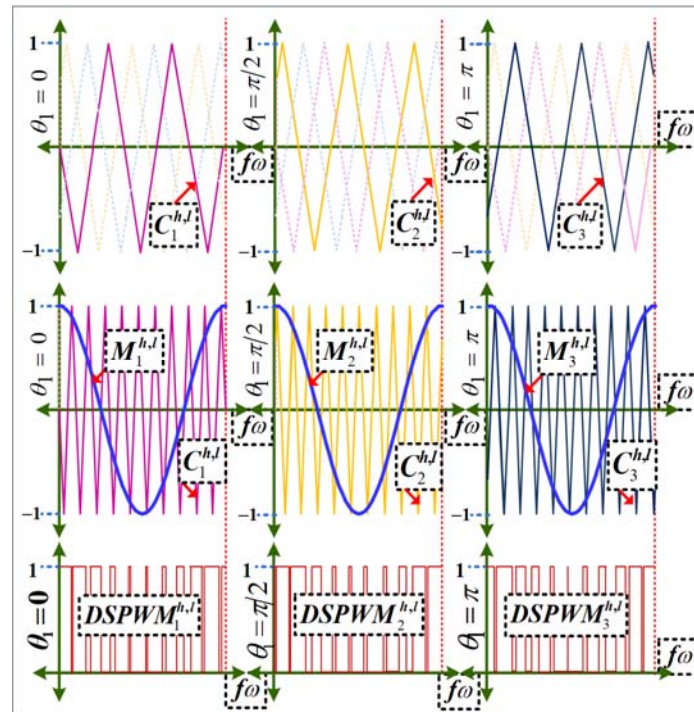


Figure 3. Digital sinusoidal pulse width modulation (DSPWM) signal applied to each voltage source converter (VSC) connected in parallel (phase a).

In Table 1 it is observed that the angle that generates a lower THD is $3\pi/2$; hence, this angle divides the number of VSCs placed in parallel, i.e.,

$$\theta_p = (3\pi/2)/p \tag{33}$$

where p is the number of VSC connected in parallel and θ_p is the carrier signal phase shift angle of each VSC.

Table 1. Analysis of different phase shift at the carrier signal.

Total Phase Shift (θ_p)	Carrier Phase Shift in Each VSC			% Total Harmonic Distortion (THD)
	θ_1	θ_2	θ_3	
0	0	0	0	6.8%
$\pi/6$	0	$\pi/18$	$\pi/9$	4.33%
$\pi/3$	0	$\pi/9$	$2\pi/9$	1.99%
$\pi/2$	0	$\pi/6$	$\pi/3$	2.054%
$2\pi/3$	0	$2\pi/9$	$4\pi/9$	1.271%
$5\pi/6$	0	$5\pi/18$	$5\pi/9$	1.608%
π	0	$\pi/3$	$2\pi/3$	4.616%
$7\pi/6$	0	$7\pi/18$	$7\pi/9$	5.635%
$4\pi/3$	0	$4\pi/9$	$8\pi/9$	2.864%
$3\pi/2$	0	$\pi/2$	π	1.239%
$5\pi/3$	0	$5\pi/9$	$10\pi/9$	1.36%
$11\pi/6$	0	$11\pi/18$	$11\pi/9$	1.867%
2π	0	$2\pi/3$	$4\pi/3$	2.756%

The n -harmonics content is calculated through the Fourier series expansion, i.e.,

$$F(t) = C_0 + \sum_{n=1}^{\infty} (C_{MSC,GSC}^n \cos(n\omega_0 t + \sigma)) \tag{34}$$

where n is the harmonic number, $C_{MSC,GSC}^n = \sqrt{(a_{MSC,GSC}^n)^2 + (b_{MSC,GSC}^n)^2}$, $\sigma = \tan^{-1}(b_{MSC,GSC}^n / a_{MSC,GSC}^n)$ and $C_0 = a_0/2$.

The magnitude of each harmonic is calculated by,

$$a_{MSC,GSC}^n = \frac{2}{T} \left(\int_{-T/2}^{T/2} F(t) \cos(n\omega_0 t) d\omega_0 t \right) \tag{35}$$

$$b_{MSC,GSC}^n = \frac{2}{T} \left(\int_{-T/2}^{T/2} F(t) \sin(n\omega_0 t) d\omega_0 t \right) \tag{36}$$

To calculate the THD in the AFE converter, the individually equivalent circuit of each three-phase VSC is analyzed.

A three-phase VSC equivalent circuit is shown in Figure 4.

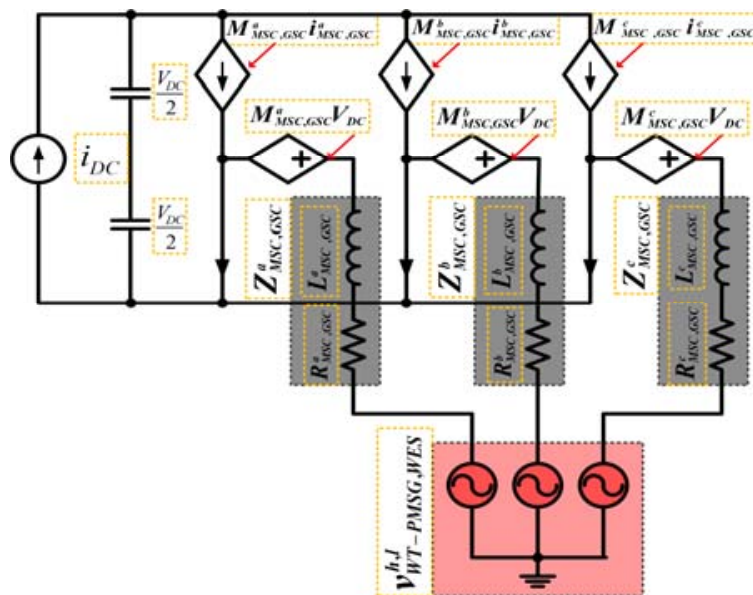


Figure 4. Three-phase VSC equivalent circuit.

The three-phase VSC is represented by the next equation,

$$\begin{bmatrix} 2(Z * i^a) & -(Z * i^b) & -(Z * i^c) \\ -(Z * i^a) & 2(Z * i^b) & -(Z * i^c) \\ -(Z * i^a) & -(Z * i^b) & 2(Z * i^c) \end{bmatrix}_{MSC,GSC} = \begin{bmatrix} \begin{pmatrix} v^a - v^b \\ v^b - v^c \\ v^c - v^a \end{pmatrix}_{MSC,GSC} & - \begin{pmatrix} v^a - v^b \\ v^b - v^c \\ v^c - v^a \end{pmatrix}_{WT-PMMSG,WES} \end{bmatrix} \tag{37}$$

Using Kirchoff's current law (KCL), the currents flowing towards the MSC or/and GSC node must be equal to the currents leaving the MSC or/and GSC node, i.e.,

$$i_{MSC,GSC}^c = -\left(i_{MSC,GSC}^a + i_{MSC,GSC}^b \right) \tag{38}$$

Replacing equation (38) in (37) gives line-to-line current of the MSC or/and GSC, i.e.,

$$\begin{bmatrix} i_{MSC,GSC}^{ab} \\ i_{MSC,GSC}^{bc} \\ i_{MSC,GSC}^{ca} \end{bmatrix} = \left(\frac{1}{3Z_{MSC,GSC}^{h,l}} \right) \left(\begin{bmatrix} v^a - v^b \\ v^b - v^c \\ v^c - v^a \end{bmatrix}_{WT-PMSG,WES} - \begin{bmatrix} v^a - v^b \\ v^b - v^c \\ v^c - v^a \end{bmatrix}_{MSC,GSC} \right) \quad (39)$$

where $v_{WT-PMSG}$ represents the WT-PMSG voltage, v_{WES} exemplifies the WES voltage, $v_{MSC,GSC}$ is the VSC AC-side output voltage of MSC or/and GSC, and $Z_{MSC,GSC}^{h,l}$ is the AC-side filter of MSC or/and GSC.

The $v_{MSC,GSC}$ value depends on $M_{MSC,GSC}^{h,l}$ signal modulation. The modulated and carrier signals implement the DSPWM technique of Figure 3; these have modulation frequencies of 60Hz (ω_0) and 7kHz ($f\omega$), respectively.

The carrier signal is composed by an up-slope and a down-slope, calculated as,

$$C_{t_1p} = 1 - ((4/f\omega)(\omega_0 t_1 - \theta_p)) \quad (40)$$

$$C_{t_2p} = ((4/f\omega)(\omega_0 t_2 - (f\omega/2) - \theta_p)) - 1 \quad (41)$$

where C_{t_1,t_2p} is the composed carrier signal, θ_p is phase shift angle of each VSC, $f\omega$ is switching frequency of the carrier signal, t_1 is the time for the up-slope, t_2 is the time for the down-slope.

Time t_1 for up-slope is:

$$\theta_p \leq t_1 \leq ((f\omega/2) + \theta_p) \quad (42)$$

Time t_2 for down-slope is:

$$((f\omega/2) + \theta_p) \leq t_2 \leq (f\omega + \theta_p) \quad (43)$$

Modulated signals in each VSC are described by the carrier signal time, that is:

$$\begin{aligned} M_{t_1p}^{h,l} &= \cos(t_1 + \varphi) \\ M_{t_2p}^{h,l} &= \cos(t_2 + \varphi) \end{aligned} \quad (44)$$

where $h,l = a,b,c$ the VSC phases in MSC and GSC, respectively, and φ is the corresponding angle of each phase in the modulated signal.

The comparison between modulated and carrier signals defines the DSPWM signal, its representation is:

$$\begin{aligned} DSPWM_{t_1p}^{h,l} &= \begin{cases} M_{t_1p}^{h,l} \leq C_{t_1p} \\ DSPWM_{t_2p}^{h,l} \leq C_{t_2p} \end{cases} \\ DSPWM_{t_2p}^{h,l} &= \begin{cases} M_{t_1p}^{h,l} \leq C_{t_1p} \\ M_{t_2p}^{h,l} \leq C_{t_2p} \end{cases} \end{aligned} \quad (45)$$

Multiplying the DSPWM signal and DC voltage amplitude generates the VSCs output voltage for each phase value in MSC and GSC, i.e.,

$$v_{MSC,GSC}^{h,l} = V_{DC} * DSPWM_{MSC,GSC}^{h,l} \quad (46)$$

The WT-PMSG voltage $v_{WT-PMSG}^h$ is generated by,

$$\begin{aligned} v_{t_1WT-PMSG}^h &= PMSG(\cos(\omega_{rPMSG} t_1 + \theta_{rPMSG})) \\ v_{t_2WT-PMSG}^h &= PMSG(\cos(\omega_{rPMSG} t_2 + \theta_{rPMSG})) \end{aligned} \quad (47)$$

where $PMSG$ is the WT-PMSG amplitude voltage and φ is the corresponding angle of each phase in the three-phase WT-PMSG.

And the WES voltage v_{WES}^l is produced by,

$$\begin{aligned} v_{t_1 WES}^l &= WES(\cos(\omega_0 t_1 + \phi_{WES})) \\ v_{t_2 WES}^l &= WES(\cos(\omega_0 t_2 + \phi_{WES})) \end{aligned} \quad (48)$$

where WES is the AC grid amplitude voltage and ϕ_{WES} is the corresponding angle of each phase in the three-phase WES grid.

The output current in each VSC is calculated as,

$$\begin{aligned} \begin{bmatrix} i_{t_1 MSC,GSC}^{h,l} \\ i_{t_2 MSC,GSC}^{h,l} \end{bmatrix} &= (1/(3Z_{MSC,GSC})) \left(\begin{bmatrix} v_{t_1 WT-PMSC,WES}^{h,l} \\ v_{t_2 WT-PMSC,WES}^{h,l} \end{bmatrix} - \begin{bmatrix} v_{t_1 MSC,GSC}^{h,l} \\ v_{t_2 MSC,GSC}^{h,l} \end{bmatrix} \right) \end{aligned} \quad (49)$$

The harmonic content spectrum to obtain the THD is required. By using (35), (36), and (49) the spectrum is calculated as,

$$a_{MSC,GSC}^n = \left(\frac{2}{T}\right) \left[\left(\int_{\theta_p}^{(f\omega/2)+\theta_p} \left(i_{t_1 MSC,GSC}^{h,l} \cos(n\omega_0 t_1) \right) d\omega_0 t_1 \right) + \left(\int_{(f\omega/2)+\theta_p}^{f\omega+\theta_p} \left(i_{t_1 MSC,GSC}^{h,l} \cos(n\omega_0 t_2) \right) d\omega_0 t_2 \right) \right] \quad (50)$$

$$b_{MSC,GSC}^n = \left(\frac{2}{T}\right) \left[\left(\int_{\theta_p}^{(f\omega/2)+\theta_p} \left(i_{t_1 MSC,GSC}^{h,l} \sin(n\omega_0 t_1) \right) d\omega_0 t_1 \right) + \left(\int_{(f\omega/2)+\theta_p}^{f\omega+\theta_p} \left(i_{t_2 MSC,GSC}^{h,l} \sin(n\omega_0 t_2) \right) d\omega_0 t_2 \right) \right] \quad (51)$$

For the harmonic content of the output current signal, the magnitude of the individual harmonics is calculated for each VSC connected in parallel to the MSC and GSC and these are added, i.e.,

$$a_{MSC,GSC}^{n1} + a_{MSC,GSC}^{n2} + \dots + a_{MSC,GSC}^{np} \quad (52)$$

$$b_{MSC,GSC}^{n1} + b_{MSC,GSC}^{n2} + \dots + b_{MSC,GSC}^{np} \quad (53)$$

where p is the number of VSCs placed in parallel and n is the number of harmonics.

The THD in the AFE converter output current is,

$$THD i_{MSC,GSC}^{h,l} = \left| \left(\frac{1}{C_{MSC,GSC}^{1p}} \right) \sqrt{\sum_{n=2}^{\infty} \left(C_{MSC,GSC}^{np} \right)^2} \right| * 100 \quad (54)$$

where $C_{MSC,GSC}^{1p}$ is the fundamental harmonic magnitude and $C_{MSC,GSC}^{np}$ is the n^{th} harmonic magnitude.

Finally, the lower THD content in the output current of the AFE converter is generated when the output current signals of each VSC are added, i.e.,

$$i_{MSC,GSC}^{h,l} = i_{MSC1,GSC1}^{h,l} + i_{MSC2,GSC2}^{h,l} + \dots + i_{MSCp,GSCp}^{h,l} \quad (55)$$

Figure 5 shows the flow diagram that describes the generated method for a lower harmonic content, represented from Equations (33) to (55).

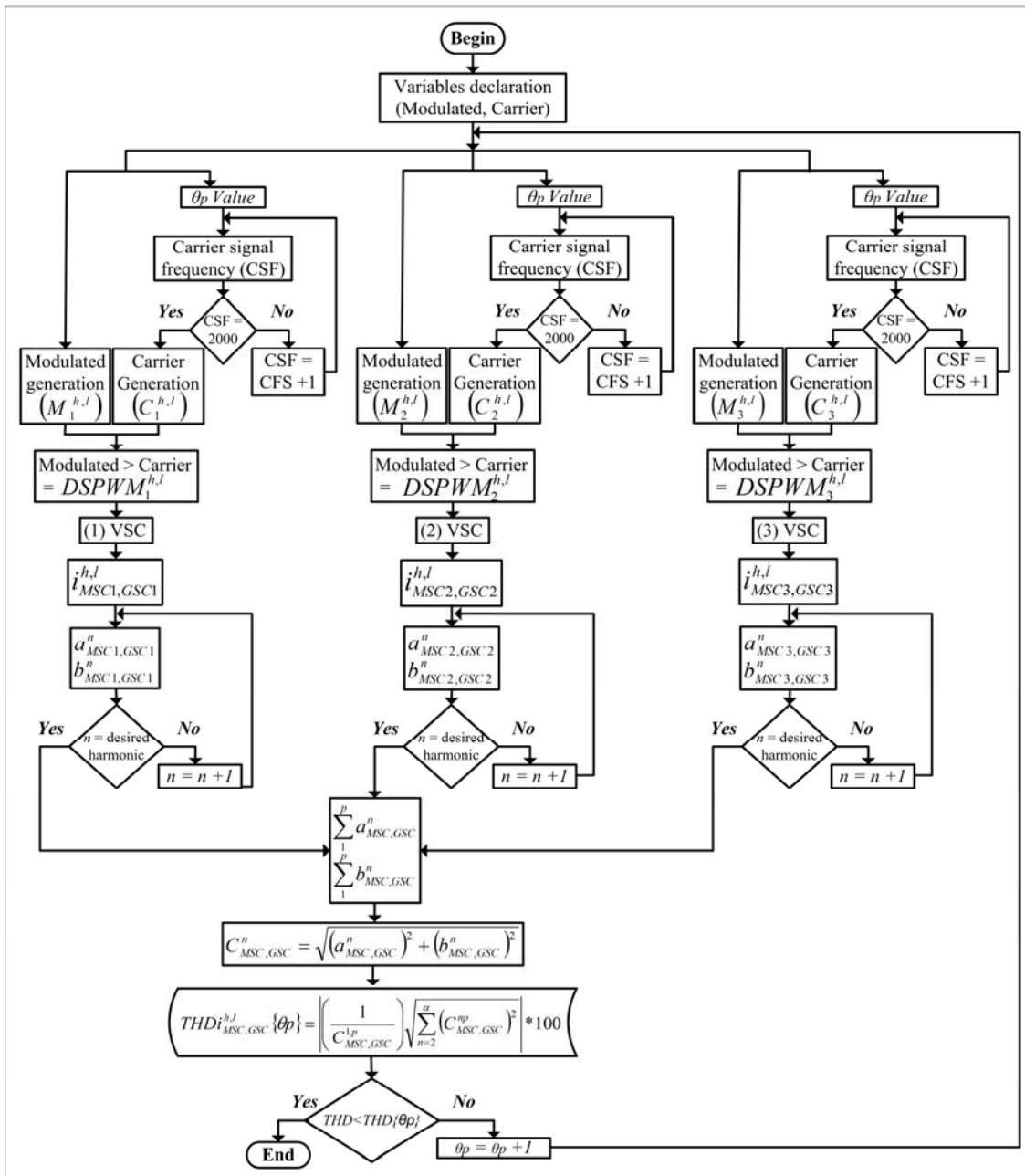


Figure 5. Flow diagram for the lower total harmonic distortion (THD) generation.

4. Simulation Results: Study Case for WES

In this paper, Matlab-Simulink® (Matlab r2015b, Mathworks, Natick, MA, USA) and Opal-RT Technologies® module (OP-5600) (Montreal, QC, Canada) are the main elements in the WES real-time simulation, since the OP-5600 module uses the rapid control prototyping (RCP) concept, which allows testing of the control law without the need for any programming code.

In Figure 2, the simulated WES is shown. It contains a WT-PMSG to supply the MSC, the AFE parallel converter and the infinite bus (considered as an ideal voltage source) to supply the GSC. The MSC and GSC are connected to WT-PMSG and the AC grid through RL filters, both converters are formed by three VSCs connected in parallel and each one is designed to possess a power and voltage of 2 MVA and 2.5 kV, respectively. The characteristics of the WT-PMSG are described in Table 2.

Table 2. Wind turbine-permanent magnet synchronous generator (WT-PMSG) characteristics.

Wind Turbine (WT)			
Nominal output power	2 MW	Base wind speed	12 m/s
Pitch angle	45 deg	base generator speed	1.2 pu
Permanent Magnet Synchronous Generator (PMSG)			
Mechanical input	-8.49×10^5 N.m.	Stator resistance	$8.2 \times 10^{-4} \Omega$
Armature inductance	1.6×10^{-3} H	Flux linkage	5.82
Viscous damping	4.04×10^3 N.m.s	Inertia	2.7×10^6 kg.m ²
Pole pairs	4	Rotor type	Round

To verify the correct WES operation in Figure 2, in Figure 6 the behavior of the WT mechanical torque and the PMSG electric torque are analyzed.

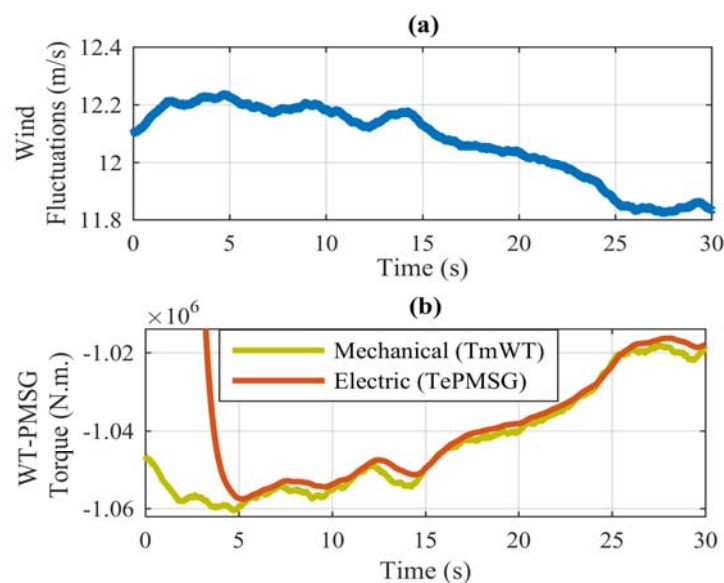


Figure 6. The behavior of the WT mechanical torque and the permanent magnet synchronous generator (PMSG) electric torque in the presence of wind fluctuations. (a) Wind fluctuations; (b) mechanical and electric torque.

Figure 6a details the wind fluctuations applied to the WT, which are generated in Matlab-Simulink[®] by a rotor wind model developed by RISOE National Laboratory based on Kaimal spectra. Figure 6b shows the behavior of the WT mechanical torque and the PMSG electric torque in the presence of wind fluctuations. It is possible to observe that the electric torque follows the mechanical torque behavior, due to the effective structure of the MSC closed-loop control.

Figure 7 shows the generated current by the WT-PMSG, which is controlled through the MSC of the AFE parallel converter. Because the MSC is formed using the parallel connection of three VSCs, each VSC can handle one third of the total current generated by the WT; Figure 7a–c illustrates the current in the (1), (2), and (3) VSCs, respectively, and in Figure 7d the MSC total current is shown.

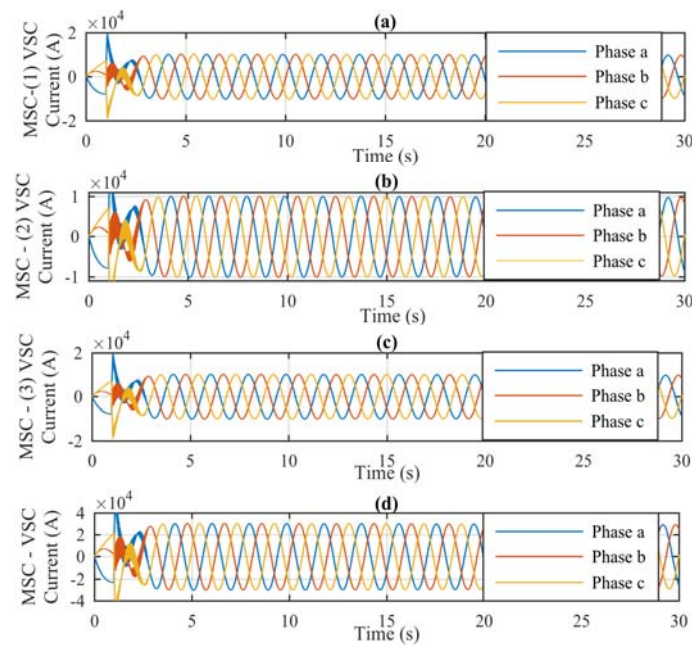


Figure 7. Current present in machine-side VSC (MSC) of Active Front-End (AFE) parallel converter. (a) (1) VSC; (b) (2) VSC; (c) (3) VSC; (d) total current.

While, the main MSC function is the rotor flux frequency control, generating the power conversion between medium AC voltage and low DC voltage levels, the most important GSC function is to keep the DC-link constant, transferring the generated power between the WT-PMSG and AC grid in the voltages required by the consumers.

Figure 8a shows that the DC-link remains constant at 5kV, because, when the MSC requires a reactive power exchange, due to the wind fluctuations of Figure 6a, the GSC restores the DC-Link, and at the same time injects the needed reactive power, as shown in Figure 8b.

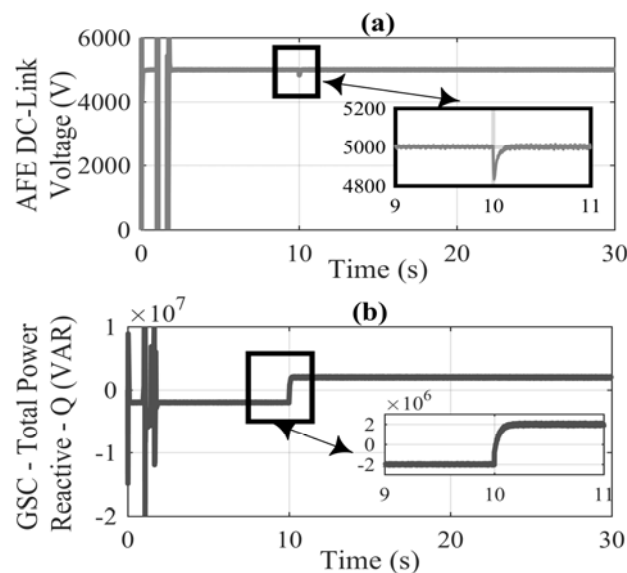


Figure 8. DC-Link and Reactive Power controlled by the grid-side VSC (GSC). (a) DC-link voltage; (b) exchange of reactive power in WES.

Figures 9–11 detail the applied DSPWM to each of the VSCs connected in parallel for the correct operation of the GSC, at the stability time from 4.5 to 4.509 ms. In Figure 9, it can be seen that both the carrier signal of Figure 9a and the modulated signal of Figure 9b start at the same time, i.e., the carrier

signal does not present any phase shift, generating the DSPWM signal in Figure 9c, this is applied to the first VSC connected in parallel in the GSC. In Figure 10, the DSPWM generation applied to the second VSC connected in parallel to the GSC is shown; in Figure 10a, a phase shift of $\pi/2$ (rad/s) in the carrier signal is observed. This is compared with the modulated signal of Figure 10b, originating the DSPWM with the phase shift of Figure 10c. Finally, in Figure 11, the DSPWM signal applied to the third VSC connected in parallel of the GSC is presented; in Figure 11a the carrier is observed with a phase shift of π (rad/s) with respect to the modulated signal of Figure 11b, generating the DSPWM of Figure 11c.

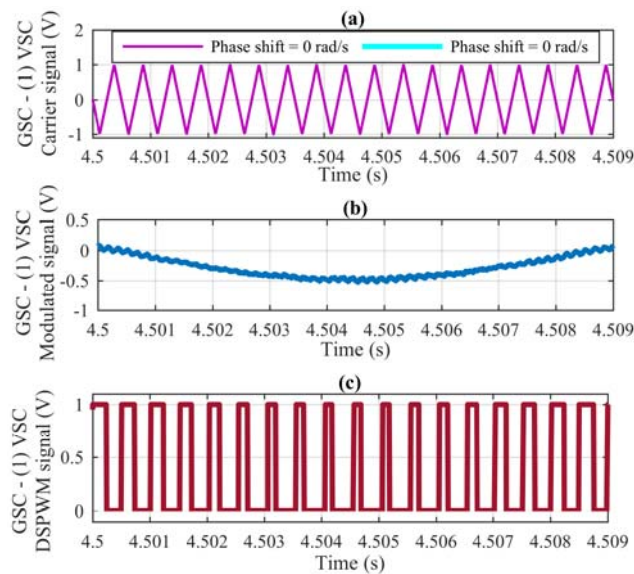


Figure 9. DSPWM signal applied to the control of the first VSC connected in parallel in GSC. (a) Carrier signal; (b) modulated signal; (c) DSPWM.

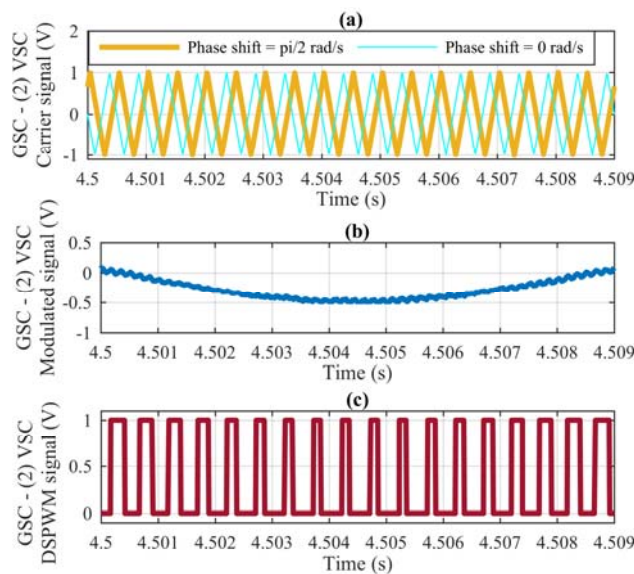


Figure 10. DSPWM signal applied to the control of the second VSC connected in parallel in GSC. (a) Carrier signal; (b) modulated signal; (c) DSPWM.

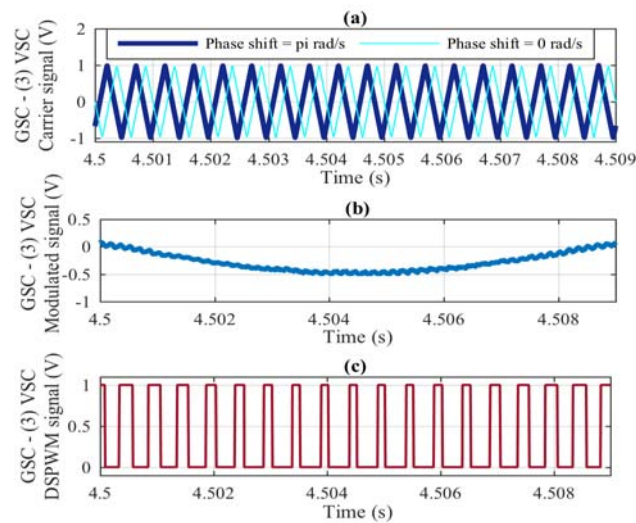


Figure 11. DSPWM signal applied to the control of the third VSC connected in parallel in GSC. (a) Carrier signal; (b) modulated signal; (c) DSPWM.

Figure 12 shows the electrical variables present at the GSC when the corresponding phase shift in the carriers of each VSC connected in parallel is performed, according to Equation (33). Figure 12a shows the (1) VSC current generated due to the phase shift at the carrier of Figure 9a; in which, a zoom in time is made from 9.9 to 10.1 s, observing the current magnitude and behavior in the presence of the reactive power exchange at Figure 8b. Figure 12b shows the (2) VSC current generated due the phase shift at the carrier of Figure 10a; Figure 12c shows the (3) VSC current generated due the phase shift at the carrier of Figure 11a; in Figure 12a–c, each current magnitude is 330 A, generating a total GSC current of 990 A, as seen in Figure 12d; Figure 12e details a zoom in time from 9.9 to 10.1 s, observing the generated voltage at the GSC, the magnitude of which corresponds to 2500 V.

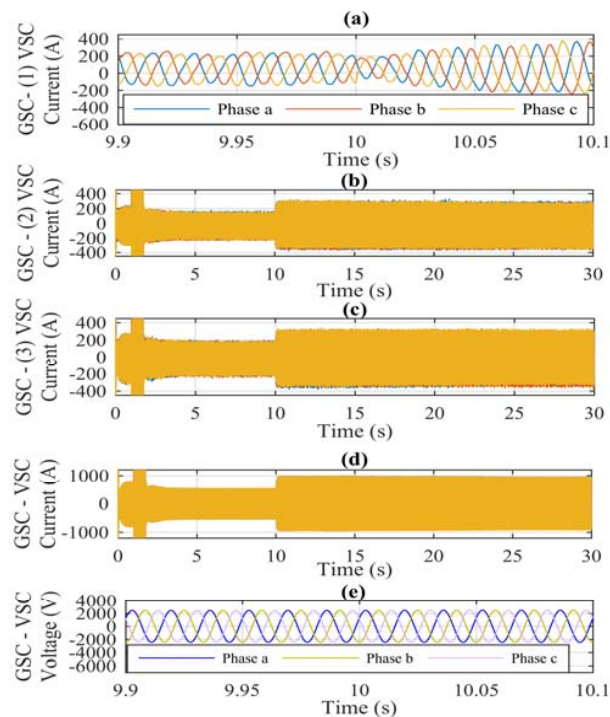


Figure 12. Electrical variables generated by the GSC. (a) Zoom of the handled current at the (1) VSC; (b) the handled current at the (2) VSC; (c) the handled current at the (3) VSC; (d) total current; (e) zoom at the magnitude voltage.

Finally, the current THD is shown in Figure 13; Figure 13a contents the THD without any phase shift between carriers of each VSC of the AFE converter, which corresponds to 6.8%. Please observe that, in Figure 13b, when the corresponding phase shift is performed in the carriers, the current THD is reduced to 1.239%, as specified in Table 1. The Figure 13 shows the harmonics magnitude reduction or even their elimination, once the phase shift between carriers has been made. The THD was reduced by approximately 5.5 times.

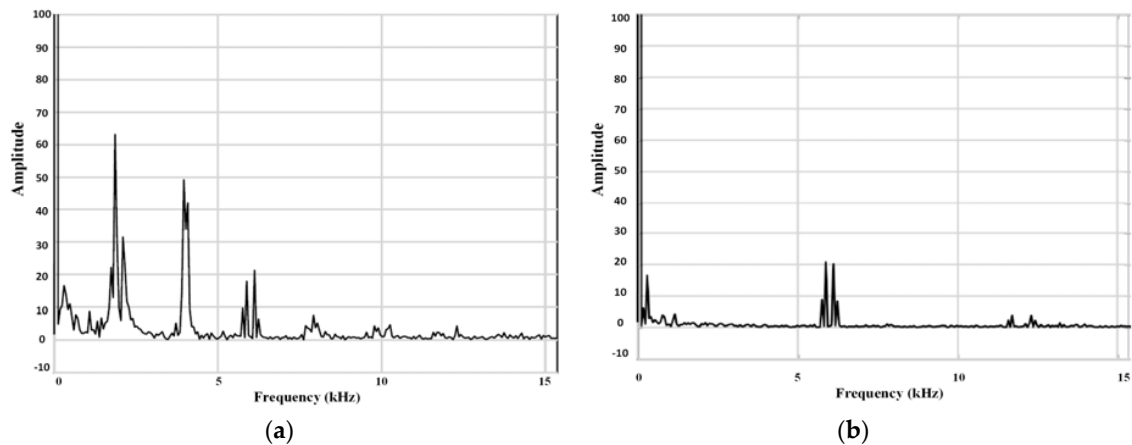


Figure 13. THD present at the WES. (a) Without phase shift between carriers of each VSC; (b) with phase shift between carriers of each VSC.

5. Real Time Simulation Results: Study Case for WES using Opal-RT Technologies®

To verify the robustness of the applied control in the AFE converter and the THD reduction at the WES, the grid of Figure 2 in real time using the Opal-RT Technologies® is simulated; generating an RCP concept that tests the WES dynamics without the need for any programming code. Specifically, the VSC of the AFE converter is composed by the insulated gate bipolar transistor (IGBTs), these use a switching frequency of 7 kHz. Figure 14a shows the wind fluctuations generated by a rotor wind model developed by RISOE National Laboratory based on Kaimal spectra. Figure 14b contains the mechanical torque behavior generated by the wind turbine, and in response to the applied control at the MSC, the PMSG electric torque is able to follow the same behavior.

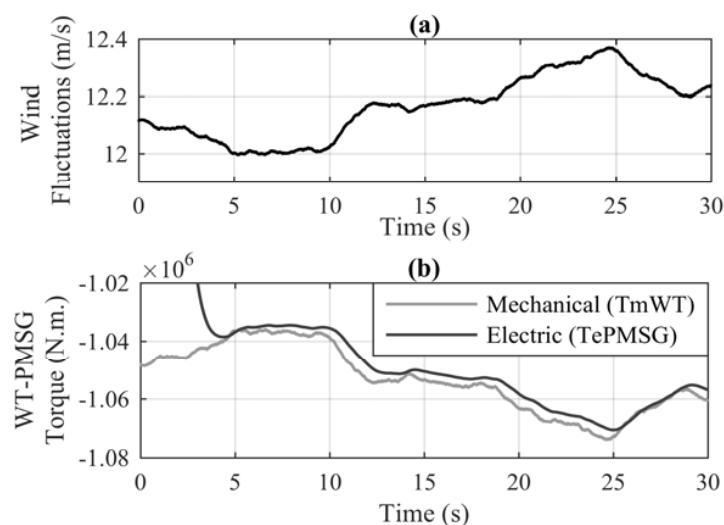


Figure 14. Behavior of the WT mechanical torque and the PMSG electric torque in the presence of wind fluctuations simulated in the Opal-RT Technologies®. (a) Wind fluctuations; (b) Mechanical and Electric torque.

Figure 15 presents the main electrical variables of the WES simulated in real time by OPAL-RT[®]. Figure 15a contains the current portion that handles the first VSC connected in parallel; as can be seen, as only three VSCs are connected in parallel, each one handles only a third of the total current generated by the MSC. The total current is presented in Figure 15b, and this is transferred by the WT-PMSG to the AC grid through the AFE converter. In Figure 15c, the generated voltage by the MSC is observed. It is important to mention that the main objective of the GSC is to support the constant DC-link in the presence of any disturbance (such as voltage/current variations due to wind fluctuations or reactive power exchanges by the behavior of the WT). This is evidenced in Figure 15d and is possible due to the applied control robustness. Figure 15e shows the GSC ability to exchange reactive power, that is, the ability of the injection/absorption of 6 MVA into the AC grid. Figure 15f contains the handled current portion by the first VSC connected in parallel at the GSC; similarly, as only three VSCs are connected in parallel, each one handles only a third of the total current generated by the GSC; the total current is presented in Figure 15g. Finally, in Figure 15h, the handled voltage by the GSC is observed, this is taken from the PCC attached to the AC grid. The THD of the handled total current by the GSC is generated through the OPAL-RT[®]. The generated THD without phase shift between the carriers of each VSC connected in parallel corresponds to 8.85%. The produced THD once the phase shift between the carriers of each VSC is made corresponds to 2.18%, and the phase shift from equation (33) is calculated; therefore, it is demonstrated that making the WES real-time simulation and applying the phase shift between the carriers of each VSC, the THD can be reduced up to four times.

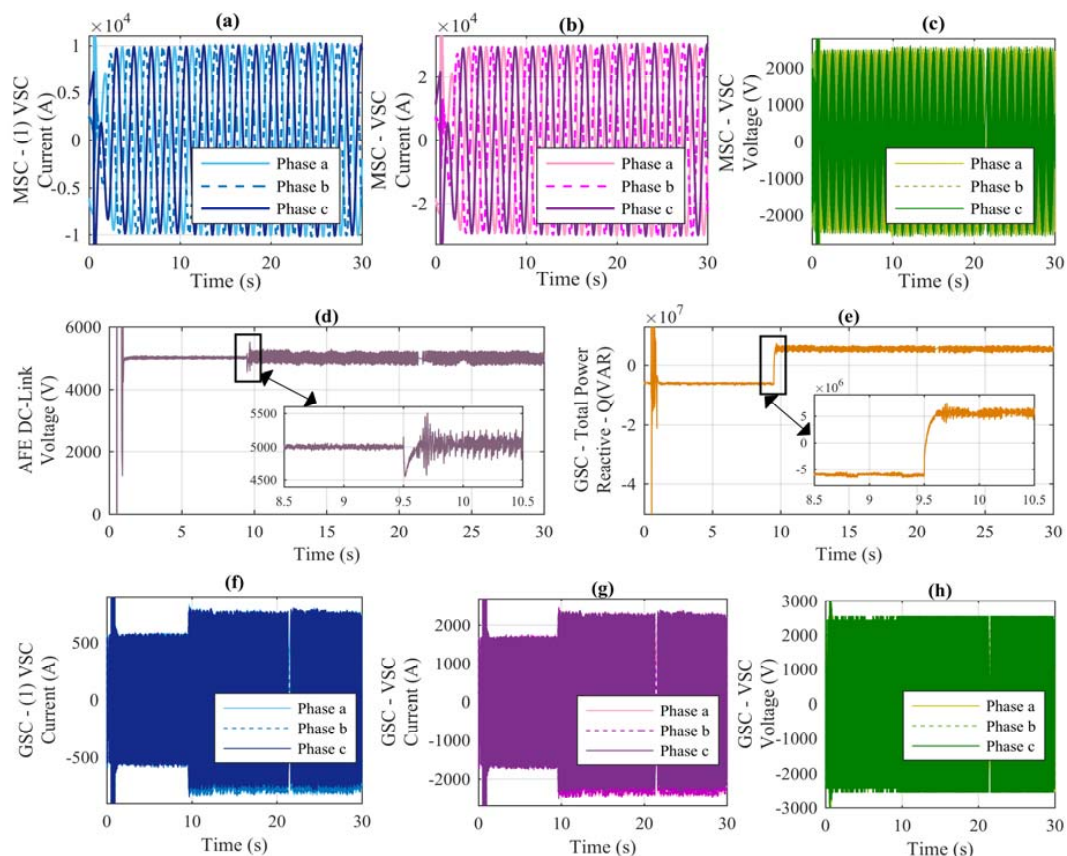


Figure 15. Electrical variables generated at the WES simulated in the Opal-RT Technologies[®]. (a) The handled current by the (1) VSC of MSC; (b) total current handled by the MSC; (c) voltage present at the MSC; (d) DC-Link voltage controlled by the GSC; (e) reactive Power controlled by the GSC; (f) the handled current by the (1) VSC of GSC; (g) total current handled by the GSC; (h) voltage present at the GSC.

Finally, it is important to mention that, the block *–written to file–* produces the results of Figures 14 and 15 in the MATLAB–Simulink[®] interface; this allows plotting the variables in MATLAB windows in order to have a better presentation.

6. Conclusions

In this paper, the AFE converter topology has been analyzed for the THD reduction in a WES. The WES has been formed by a WT-PMSG connected to the AC grid through an AFE converter. The AFE converter topology has been made from the use of a single VSC to use *p*VCS connected in parallel.

The effective THD reduction has been made through the variation in the DSPWM technique applied to each VSC, that is, applying a different phase shift angle at the carrier signals of each VSC connected in parallel, while the modulated signal angle has been kept constant.

To verify the robustness to the applied control, the WES control law has been simulated in real time using the Opal-RT Technologies[®], generating an RCP concept, which tests the WES dynamics without the need for any programming code.

The obtained results have shown a type-4 WT with total output power of 6MVA generates a THD reduction up to 5.5 times of the total WES current output by Fourier series expansion.

Author Contributions: Conceptualization and Investigation, N.M.S.-H.; Methodology, D.C.-G.; Resources, R.T.-S.; Supervision, O.A.-L. and A.M.-R.; Project Administration, A.M.-R.; Funding Acquisition, J.J.R.-R.

Funding: This research was funded by the program DGAPA-PAPIIT-Project TA100718, granted by the National Autonomous University of Mexico (UNAM), to carry out the developments of this work.

Acknowledgments: This work was supported in part by The National Council of Science and Technology (CONACYT) in Mexico, through the Scholarship awarded under the Called “*Estancias Posdoctorales Vinculadas a la Consolidación de Grupos de Investigación*”.

Conflicts of Interest: The authors declare no conflict of interest.

Nomenclature

α_{GSC}	GSC bandwidth of the closed-loop control
α_{MSC}	MSC bandwidth of the closed-loop control
φ	Modulated signal angle
ϕ	WT-PMSG three-phase angle
ϕ_{WES}	WES three-phase angle
λ_{mPMSG}	PMSG maximum flux linkage
θ_p	Phase shift angle of each VSC
τ_{GSC}	GSC compensator response time
τ_{MSC}	MSC compensator response time
τ_{PMSG}	PMSG compensator response time
ω_{rPMSG}	PMSG rotor angular velocity
ω_{rPMSGb}	PMSG base rotor angular velocity
ω_{WTb}	WT base angular velocity
ω_o	WES angular frequency
AFE	Active Front-End
$C_{t1,t2p}$	Composed carrier signal
C_{DC}	DC-link capacitance
C_{WES}	WES capacitance
D	PMSG viscous damping
DFIG	Double-fed induction generator
DSPWM	Digital sinusoidal pulse width modulation
$DSPWM_{GSC}$	Modulated index vector at GSC
$DSPWM_{MSC}$	Modulated index vector at MSC
E_{GSC}	GSC control input

E_{MSC}	PMSC control input
$f\omega$	Switching frequency
GSC	Grid-side VSC
H	Inertia constant
i_{GSC}	GSC current
i_{MSC}	MSC current
i_{rPMSG}	PMSG rotor current
I_{DC}	DC-link current
ki_{GSC}	GSC integral compensator gain
ki_{MSC}	MSC integral compensator gain
ki_{rPMSG}	PMSG integral compensator gain
kp_{GSC}	GSC proportional compensator gain
kp_{MSC}	MSC proportional compensator gain
kp_{rPMSG}	PMSG proportional compensator gain
L_{GSC}	GSC inductance
L_{MSC}	WT-PMSG armature inductance
MSC	Machine-side VSC
p	Number of VSC in parallel
PCC	Point of Common Coupling
P_{GSCref}	GSC active power reference
PMSG	Permanent magnet synchronous generator
P_{WESb}	WES base power
$P_{WT-PMSGb}$	WT-PMSG base power
P_{AFEb}	AFE converter base power
Q_{GSCref}	GSC reactive power reference
Q_{WESref}	WES reactive power reference
Q_{WES}	WES reactive power
RCP	Rapid control prototyping
R_{DC}	DC-link resistance
R_{GSC}	GSC resistance
R_{MSC}	MSC resistance
s	Laplace operator
SCIG	squirrel-cage induction generator
<i>Superscript d</i>	d axis of dq reference frame
<i>Superscript g</i>	MSC dq components vector
<i>Superscript h</i>	MSC three-phase vector
<i>Superscript k</i>	VSC dq components vector
<i>Superscript l</i>	VSC three-phase vector
<i>Superscript n</i>	Harmonic number
<i>Superscript q</i>	q axis of dq reference frame
<i>Superscript ref</i>	Corresponding Reference value
t_1	up-slope time
t_2	down-slope time
T_{ePMSG}	PMSG electrical torque
THD	Total Harmonic Distortion
T_{mWT}	WT mechanical torque
U_{DC}	Energy capacitor
v_{GSC}	GSC voltage
v_{WES}	WES voltage
v_{WESL-L}	WES line to line voltage
v_{MSC}	WT-PMSG voltage
v_{WT}	Wind turbine voltage

$v_{WT-PMSG}$	Generated WT-PMSG voltage
V_{DC}	DC-link voltage
V_{DCref}	DC-link voltage reference
VSC	voltage source converter
WES	Wind Energy System
WT	Wind Turbine
Z_{GSCt}	GSC impedance
Z_{GSC}	Total WES impedance
Z_{MSC}	Total WT-PMSG impedance
Z_{MSCt}	MSC impedance

References

1. Wang, S.; Wang, S. Impacts of wind energy on environment: A review. *Renew. Sustain. Energy Rev.* **2015**, *49*, 437–443. [CrossRef]
2. Salgado-Herrera, N.M.; Medina-Rios, A.; Tapia-Sánchez, R. Reactive Power Compensation in Wind Energy Systems through Resonant Corrector in Distributed Static Compensator. *J. Electr. Power Compon. Syst.* **2017**, *45*, 1859–1869. [CrossRef]
3. Yaramasu, V.; Dekka, A.; Durán, M.J.; Kouro, S.; Wu, B. PMSG-based wind energy conversion systems: survey on power converters and controls. *IET Electr. Power Appl.* **2017**, *11*, 956–968. [CrossRef]
4. Renewable Energy (REN21): Global Status Report, Renewables 2017. Available online: <http://www.ren21.net/status-of-renewables/global-status-report/> (accessed on 17 November 2017).
5. Global Wind Energy Council (GWEC): Global Wind Report: Annual Market Update. April 2017. Available online: <http://www.gwec.net> (accessed on 14 January 2018).
6. Salgado-Herrera, N.M.; Medina-Ríos, A.; Tapia-Sánchez, R.; Anaya-Lara, O. Reactive power compensation through active back to back converter in type-4 wind turbine. In Proceedings of the 2016 IEEE International Autumn Meeting on Power, Electronics and Computing (ROPEC), Ixtapa, Mexico, 9–11 November 2016; pp. 1–6.
7. Jlassi, I.; Estima, J.O.; Khil, S.K.E.; Bellaaj, N.M.; Cardoso, A.J.M. Multiple Open-Circuit Faults Diagnosis in Back-to-Back Converters of PMSG Drives for Wind Turbine Systems. *IEEE Trans. Power Electron.* **2015**, *30*, 2689–2702. [CrossRef]
8. Hu, W.; Chen, Z.; Wang, Y.; Wang, Z. Flicker Mitigation by Active Power Control of Variable-Speed Wind Turbines with Full-Scale Back-to-Back Power Converters. *IEEE Trans. Energy Convers.* **2009**, *24*, 640–649.
9. Lee, J.S.; Lee, K.B.; Blaabjerg, F. Open-Switch Fault Detection Method of a Back-to-Back Converter Using NPC Topology for Wind Turbine Systems. *IEEE Trans. Ind. Appl.* **2015**, *51*, 325–335. [CrossRef]
10. Nasiri, M.; Mohammadi, R. Peak Current Limitation for Grid Side Inverter by Limited Active Power in PMSG-Based Wind Turbines During Different Grid Faults. *IEEE Trans. Sustain. Energy* **2017**, *8*, 3–12. [CrossRef]
11. Juan, Y.L. Single switch three-phase ac to dc converter with reduced voltage stress and current total harmonic distortion. *IET Power Electron.* **2014**, *7*, 1121–1126. [CrossRef]
12. Ackermann, T. *Wind Power in Power Systems*, 2nd ed.; John Wiley & Sons Ltd.: Hoboken, NJ, USA, 2012; pp. 203–204.
13. Salgado-Herrera, N.M.; Mancilla-David, F.; Medina-Ríos, A.; Tapia-Sánchez, R. THD mitigation in type-4 Wind Turbine through AFE Back to back converter. In Proceedings of the 2015 North American Power Symposium (NAPS), Charlotte, NC, USA, 4–6 October 2015; pp. 1–6.
14. Hou, C.C.; Cheng, P.T. Experimental Verification of the Active Front-End Converters Dynamic Model and Control Designs. *IEEE Trans. Power Electron.* **2011**, *26*, 1112–1118. [CrossRef]
15. Fioretto, M.; Raimondo, G.; Rubino, L.; Serbia, N.; Marino, P. Evaluation of current harmonic distortion in wind farm application based on Synchronous Active Front End converters. In Proceedings of the IEEE Africon'11, Livingstone, Zambia, 13–15 September 2011; pp. 1–6.
16. Shen, L.; Bozhko, S.; Asher, G.; Patel, C.; Wheeler, P. Active DC-Link Capacitor Harmonic Current Reduction in Two-Level Back-to-Back Converter. *IEEE Trans. Power Electron.* **2016**, *31*, 6947–6954. [CrossRef]

17. Cai, X.; Zhang, Z.; Cai, L.; Kennel, R. Current balancing control of high power parallel-connected AFE with small current ripples. In Proceedings of the 2015 9th International Conference on Power Electronics and ECCE Asia (ICPE-ECCE Asia), Seoul, Korea, 1–5 June 2015; pp. 624–630.
18. Liu, C.; Sun, P.; Lai, J.S.; Ji, Y.; Wang, M.; Chen, C.L.; Cai, G. Cascade dual-boost/buck active-front-end converter for intelligent universal transformer. *IEEE Trans. Ind. Electron.* **2012**, *59*, 4671–4680. [[CrossRef](#)]
19. Hiskens, I.A. Dynamics of Type-3 Wind Turbine Generator Models. *IEEE Trans. Power Syst.* **2012**, *27*, 465–474. [[CrossRef](#)]
20. Yazdani, A.; Iravani, R. *Voltage-Sourced Converters in Power Systems: Modeling, Control and Applications*; John Wiley & Sons, Inc.: Hoboken, NJ, USA, 2010; pp. 385–412.
21. Orlando, N.A.; Liserre, M.; Mastromauro, R.A.; Dell’ Aquila, A. A Survey of Control Issues in PMSG-Based Small Wind-Turbine Systems. *IEEE Trans. Ind. Inform.* **2013**, *9*, 1211–1221. [[CrossRef](#)]
22. Salgado-Herrera, N.M.; Medina-Ríos, J.A.; Tapia-Sánchez, R.; Anaya-Lara, O.; Rodríguez-Rodríguez, J.R. DSPWM multilevel technique of 27-levels based on FPGA for the cascaded DC/AC power converter operation. *Int. Trans. Electr. Energy Syst.* **2018**, *28*. [[CrossRef](#)]



© 2018 by the authors. Licensee MDPI, Basel, Switzerland. This article is an open access article distributed under the terms and conditions of the Creative Commons Attribution (CC BY) license (<http://creativecommons.org/licenses/by/4.0/>).